

# Undersink and washing machine valves

Art. 4890 – 4891 – 4893 – 4894 – 4895 – 4897 – 4898



100% MADE IN ITALY 

## Function

Pintossi+C undersink, Toilet and washing machine valves are shut-off valves that allow the exclusion of individual sanitary devices from the water supply.

The valves can be supplied with or without stainless steel filters to collect impurities in the water.

The valves art.4894 consists of a swivel joint to facilitate installation.

All the types include a chrome-plated stainless steel rosette.

The **metal levers** guarantee a long durability, even if the valve opening/closing mechanism is not used for a long time.

Chromed plated finishing.



## Product range

Art. 4890	1/2"x3/4"	Heavy washing machine valve
Art. 4891	1/2"x3/4"	Washing machine valve
Art. 4893	1/2"x3/8" – 1/2"x1/2"	Undersink valve with male connection and filter
Art. 4894	1/2"x10	Undersink valve with compression joint and filter
Art.4895	1/2"x3/4"x10	Combined undersink and washing machine valve
Art. 4897	1/2"x3/8" – 1/2"x1/2"	Undersink valve with male connection
Art. 4898	1/2"x10	Toilet valve with compression joint

## Technical specifications

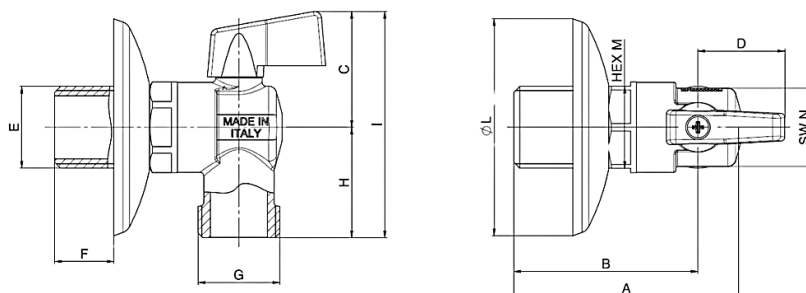
Fluids:	Water
Max working temperature:	90°C
Max working pressure:	10 bar
Strainer filtration grade:	400 micron

## Materials

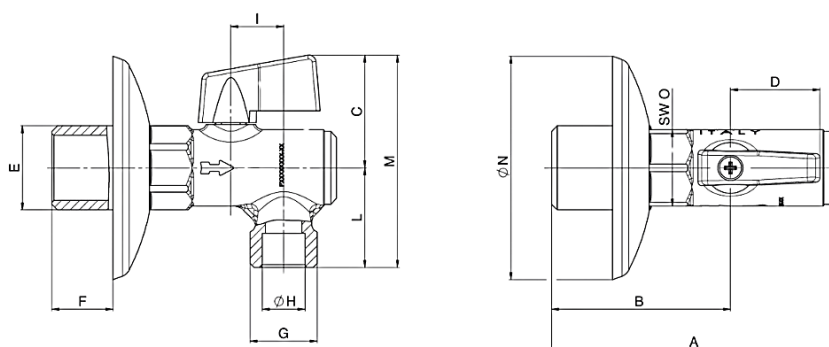
Body:	Brass CW617N
Filter:	Stainless steel AISI304
Sealing gaskets:	NBR
Set gaskets:	PTFE
Lever handle artt.4890-4891-4893-4894:	Metal
Lever handle artt.4897-4898:	ABS
Rosette:	Stain steel inox AISI430

## Dimensions

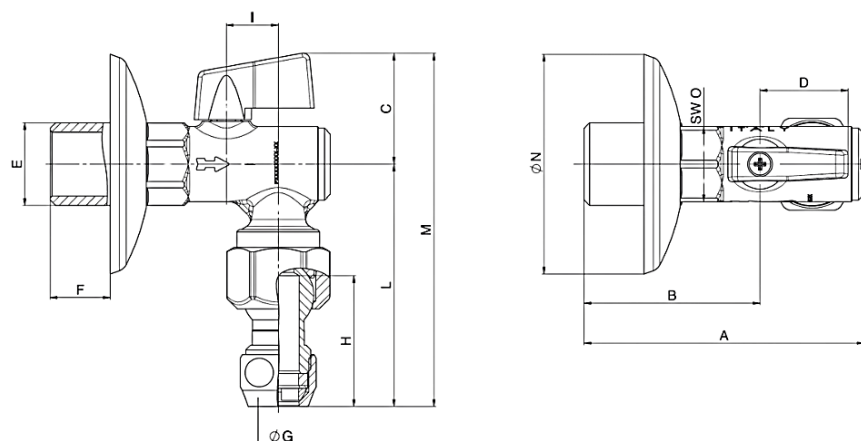
ART.	A	B	C	D	E	F	G	H	I	L	M	N
4890	60	47	29,5	22	1/2"	15	3/4"	30	59,5	55	21	20
4891	43,5	34	28	22	1/2"	10	3/4"	28	56	55		19



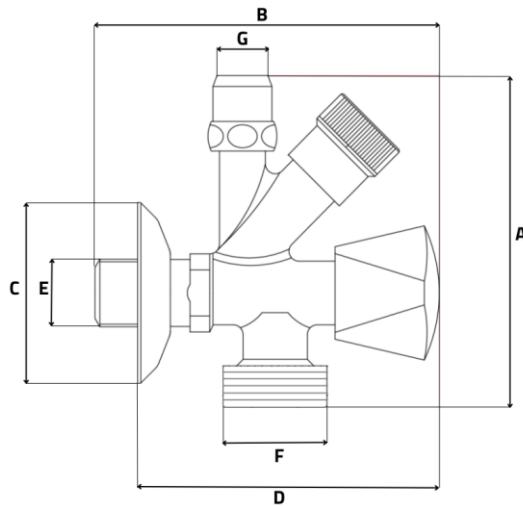
ART.	A	B	C	D	E	F	G	H	I	L	M	N	O
4893	70	44	28	22	1/2"	15	3/8"	10,5	13,5	24,5	52,5	55	19
	70	44	28	22	1/2"	15	1/2"	14	13,5	24,5	52,5	55	19



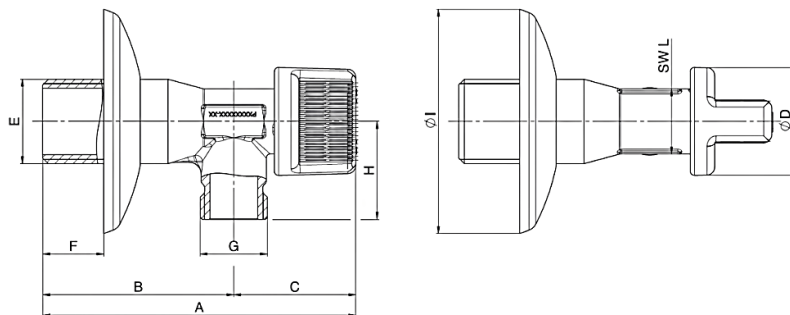
ART.	A	B	C	D	E	F	G	H	I	L	M	N	O
4894	70	44	28	22	1/2"	15	10	33	13,5	60,5	88,5	55	19



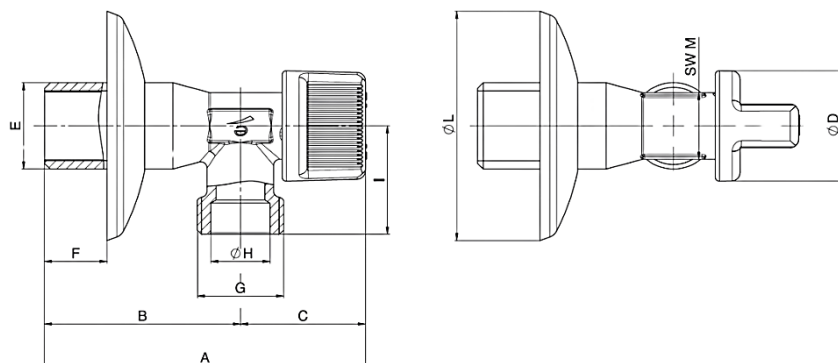
ART.	A	B	C	D	E	F	G
4895	88	105	56	87	1/2"	3/4"	10



ART.	A	B	C	D	E	F	G	H	I	L
4897	77	47	30	26,5	1/2"	15	3/8"	24	55	16
	77	47	30	26,5	1/2"	15	1/2"	24	55	19



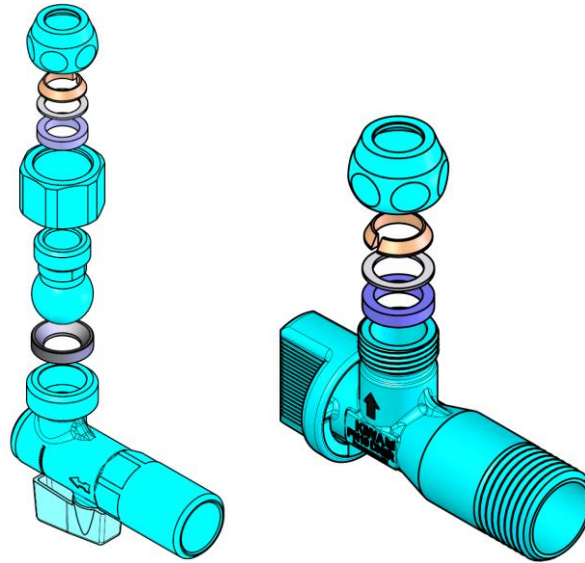
ART.	A	B	C	D	E	F	G	H	I	L	M
4898	77	47	30	26,5	1/2"	15	10	32	55	19	16



## Compression nut installation

Undersink valves art.4894 -4898 consist of different components for compression and joint connection.

For a correct installation and a guarantee of sealing it is important to assemble the various components (olives, gaskets, etc.) following the image below, taking care to verify the direction of assembly.



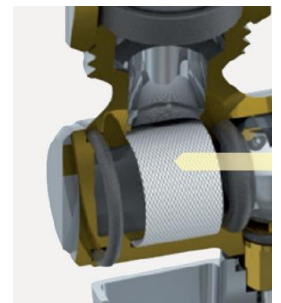
## Maintenance

Undersink valves artt.4893-4894 include a stainless steel filter with a filtering net of 400 microns.

It is recommended to carry out annual maintenance operations so as to remove the particles and impurities collected inside it and that could cause pressure losses after a while.

To remove the filter, follow these instructions:

- 1- Close the ball using the appropriate lever;
- 2- Unscrew with a flat screwdriver the closing cap of the valve;
- 3- Remove the filter and clean it under running water to remove all impurities;
- 4- Remove any deposits inside the undersink valve;
- 5- Reassemble the filter and screw the closing cap;
- 6- Open the valve.



## Fluid Characteristics

Reference standard for water treatments in heating systems is Norm UNI 8065:2019 which regulates the parameters that must be observed to avoid scale and corrosion phenomena.

In order to grant product warranty, the fluids characteristics must comply with the rules in force in the country of relevance or at least present features not less to the ones prescribed by the Norm UNI 8065:2019.

In particular, minimum standards necessary but not sufficient to control are the following:

Fluid aspect: Limpid

PH: Between 7 and 8

Iron (FE): < 0,5 mg/kg (< 0,1 mg/kg for steam)

Copper (CU): < 0,1 mg/kg (< 0,05 mg/kg for steam)

Antifreeze: Passivated Propylene Glycol

Conditioning: as indicated by the producer

In any case when using antifreeze and conditioning solutions, is required to control and verify the correct compatibility between these substances and the construction materials stated in Pintossi+C technical datasheet.